

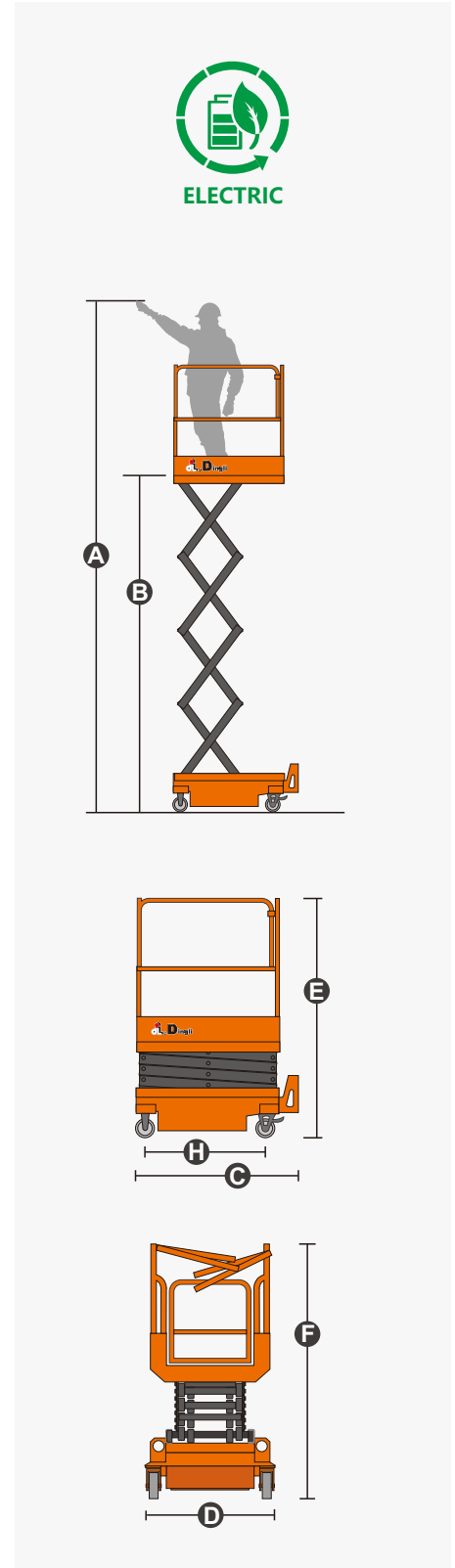
## SPECIFICATIONS

| Size                                | Metric      | British         |
|-------------------------------------|-------------|-----------------|
| Max. Working Height <b>A</b>        | 5.90m       | 19ft 4in        |
| Max. Platform Height <b>B</b>       | 3.90m       | 12ft 10in       |
| Overall Length <b>C</b>             | 1.30m       | 4ft 3in         |
| Overall Width <b>D</b>              | 0.76m       | 2ft 6in         |
| Overall Height(Rails Up) <b>E</b>   | 1.92m       | 6ft 4in         |
| Overall Height(Rails Down) <b>F</b> | 1.52m       | 5ft             |
| Platform Size(Length×Width)         | 1.15m×0.70m | 3ft 9in×2ft 4in |
| Ground Clearance                    | 0.06m       | 2in             |
| Wheelbase <b>H</b>                  | 1.01m       | 3ft 4in         |
| Tyres                               | φ150×50mm   | φ150×50mm       |

| Performance                     |           |           |
|---------------------------------|-----------|-----------|
| S.W.L                           | 240kg     | 529lb     |
| Max. Occupants (Indoor/Outdoor) | 1/0       | 1/0       |
| Max. Working Slope              | X-1°/Y-1° | X-1°/Y-1° |
| Up/Down Speed                   | 23/21sec  | 23/21sec  |

| Weight         |       |        |
|----------------|-------|--------|
| Overall Weight | 480kg | 1058lb |

| Power          |             |             |
|----------------|-------------|-------------|
| Hydraulic Tank | 3L          | 0.8gal      |
| Battery        | 12V/85Ah    | 12V/85Ah    |
| Charger        | 12V/15A     | 12V/15A     |
| Lifting Motor  | 12VDC/0.8kW | 12VDC/0.8kW |



CE EN 280

## FEATURES

### Standard Items

- Self-Locking Gates
- Automatic Braking System
- Emergency Descent System
- Tubing Explosion-Proof System
- Onboard Fault Diagnostic System
- Tilt Alarm
- Motion Alarm
- Horn
- Hour Meter
- Safety Arm For Troubleshooting
- Standard Transport Forklift Holes
- Charging Protection System
- Flashing LED Beacon
- Charging Indicator
- Lanyard Attachment Point
- Tie-Down And Lifting Points
- Platform Load Sense System
- Emergency Stop Button



### ZHEJIANG DINGLI MACHINERY CO., LTD.

Address: No.188 Qihang Road,Deqing,Zhejiang P.R.C 313219

Telephone: +86(572)8681688

E-Mail: [export@cndingli.com](mailto:export@cndingli.com)

[Https://en.cndingli.com](https://en.cndingli.com)

Due to continuous technology updates, technical parameters are subject to change without notice. This picture book is for reference only, the actual product shall prevail. The copyright is owned by zhejiang dingli, any content may not be copied for any purpose without written permission.

2024-04

