

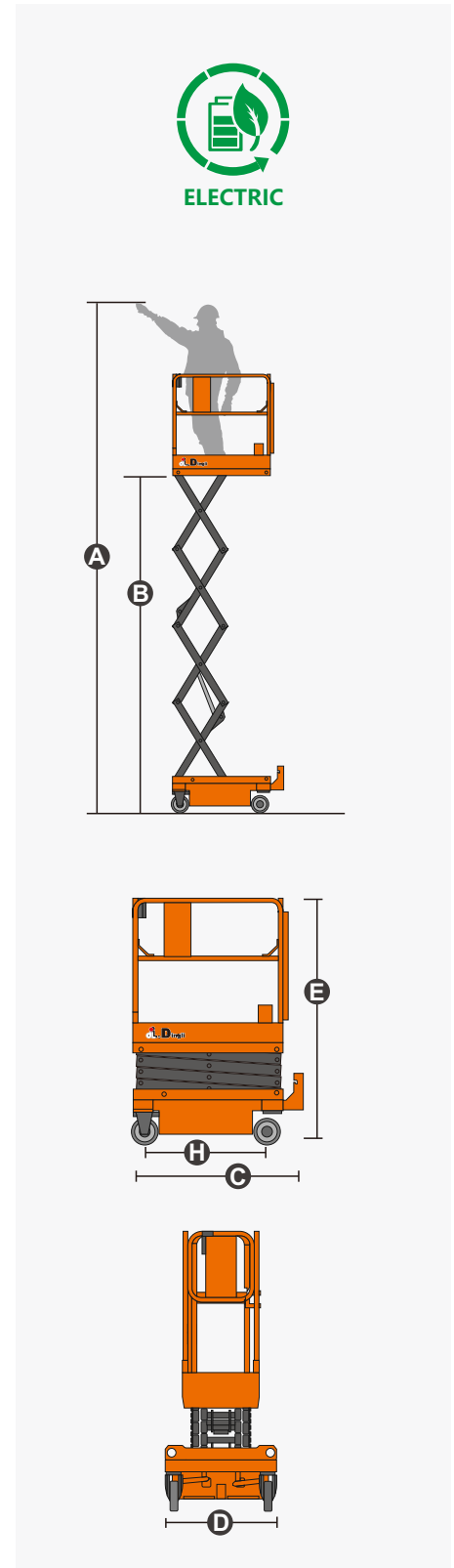
SPECIFICATIONS

Dimension	Metric	British
Max. Working Height A	5.90m	19ft 4in
Max. Platform Height B	3.90m	12ft 10in
Overall Length C	1.31m	4ft 3in
Overall Width D	0.75m	2ft 5in
Overall Height E	1.88m	6ft 2in
Platform Size(Length ×Width)	1.15m×0.52m	3ft 9in×1ft 8in
Ground Clearance(Stowed/Raised)	0.08m	3in
Wheelbase H	0.99m	3ft 3in
Tyres	φ200×50mm	φ200×50mm

Performance		
S.W.L	240kg	529lb
Max. Occupants(Indoor/Outdoor)	1/0	1/0
Max. Working Slope	1°	1°
Up/Down Speed	26/21sec	26/21sec

Weight		
Overall Weight	460kg	1014lb

Power		
Hydraulic Tank	3L	0.8gal
Lead-acid Battery	12V/85Ah	12V/85Ah
Charger	12V/15A	12V/15A
Lifting Motor	12VDC/0.8kW	12VDC/0.8kW



CE EN 280

FEATURES

Standard Items

- Self-lock Gate On Platform
- Fixed Guardrails
- Automatic Brake System
- Emergency Descent System
- Cylinder Holding Valve
- Onboard Diagnostic System
- Tilt Alarm
- All Motion Alarm
- Horn
- Hour Meter
- Safety Arm For Troubleshooting
- Standard Transport Forklift Holes
- Charging Protection System
- Flashing LED Beacon
- Charging Indicator
- Lanyard Attachment Point
- Tie-Down And Lifting Points
- Platform Load Sense System
- Emergency Stop Button



ZHEJIANG DINGLI MACHINERY CO., LTD.

Address: No.188 Qihang Road,Deqing,Zhejiang P.R.C 313219

Telephone: +86(572)8681688

E-Mail: export@cndingli.com

[Https://en.cndingli.com](https://en.cndingli.com)

Due to continuous technology updates, technical parameters are subject to change without notice. This picture book is for reference only, the actual product shall prevail. The copyright is owned by zhejiang dingli, any content may not be copied for any purpose without written permission.

2024-08

